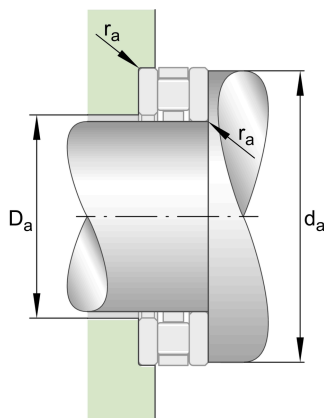
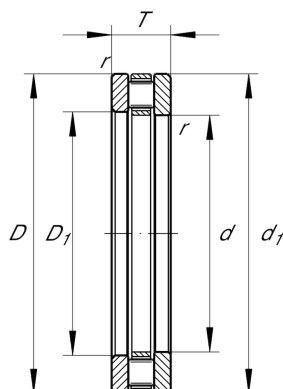
**81103-TV**

Axial cylindrical roller bearing

Schaeffler ID:  
0002402570000Axial cylindrical roller bearings 811, single  
direction, comprising K811, GS, WS

## Technical information

**Main Dimensions & Performance Data**

d	17 mm	Bore diameter
D	30 mm	Outside diameter
T	9 mm	Height
$C_a$	15,800 N	Basic dynamic load rating, axial
$C_{0a}$	33,500 N	Basic static load rating, axial
$C_{ua}$	4,700 N	Fatigue load limit, axial
$n_G$	12,300 1/min	Limiting speed
$n_{gr}$	5,400 1/min	Reference speed
	23.6 g	Weight

**Additional information**

	K81103-TV	Axial roller and cage assembly
$D_1$	18 mm	Bore diameter housing washer
	GS81103	Housing Washer
$d_1$	30 mm	Rip diameter shaft washer
	WS81103	Shaft washer
	LS1730	Track Washer
$r_{min}$	0.3 mm	Minimum chamfer dimension

**Mounting dimensions**

$d_{a min}$	29 mm	Minimum diameter shaft shoulder
$D_{a max}$	18 mm	Maximum diameter of housing shoulder
$r_{a max}$	0.3 mm	Maximum recess radius

**Temperature range**

$T_{min}$	120 °C	Operating temperature min.
$T_{max}$	-30 °C	Operating temperature max.